

STEP BY STEP GUIDE FOR TSRW'S RAB MECHANISM BLIND INSTALLATION



TSRW
TONY SANDELL
ROOF WINDOW

TSRW's RAB mechanism kit:

- Blind (pre-threaded string / 2 x rubber grommets / 2 x screws)
- RAB mechanism box / RAB rotation handle / two-pronged pin / base cap / 2 x black screws
- 2 x corner string guides / 2 x silver screws
- 2 x side channels / 8 x silver screws

Additional tools you will need:

- Pencil
- Drill or screwdriver

- 01.** Find the centre of the window (along the bottom of the window frame) and make a mark with your pencil.



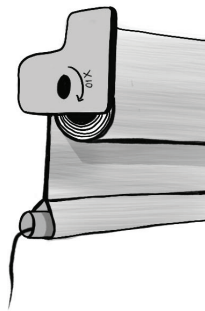
- 02.** On the same side of the blind as the pin, ensure that the rubber grommet on the pre-strung string fits into the aluminium channel at the bottom of the blind.

Ensure that the string sits in the designated groove of the grommet so that it can move freely.

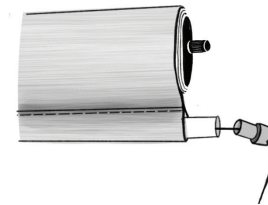
- 03.** On the left-hand side of the blind roll, follow the rotation instructions indicated on the L-shaped bracket.

Complete 10 clockwise rotations in the direction indicated on the spring roller. This winds the internal spring mechanism, allowing the blind to open and close smoothly.

Maintain a firm grip while doing this to prevent the blind from unrolling.

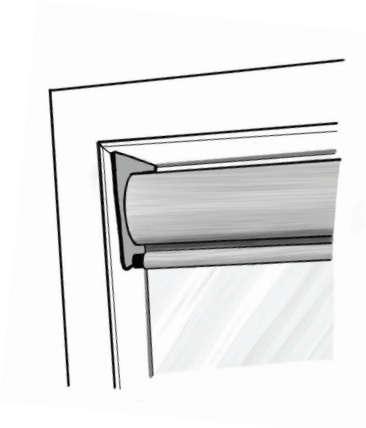


- 04.** Insert the pin (located on the right-hand side of the blind) into the pre-fitted grommet installed in all TSRW roof window/sky-light frames.



- 05.** Slide the wound rotation spring into the top left hand corner of the window frame. Make sure that it's squarely in the top corner of the frame. Then screw this in place.

Note: the rolled blind is positioned along the top of the frame with the blind being pulled down from the back, along the glass.

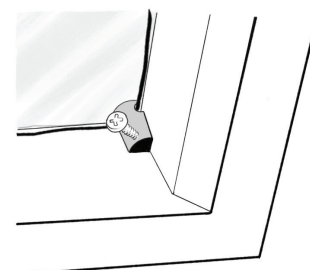


- 06.** Secure the string into the bottom corner of the frame (on the same side as the grommet fitted in the bottom channel of the blind). This is done using one of the black rubber corner guides.

First, insert the correct size screw into the threaded section of the guide to make installation easier.

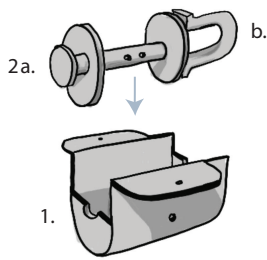
Position the right-angled corner of the guide towards the bottom corner of the window. Hook the string into the groove provided in the guide.

Ensure the string runs through the guide closest to the glass. Push the guide firmly against the glass before securing it with the screw.



07. Next, assemble the RAB mechanism box.

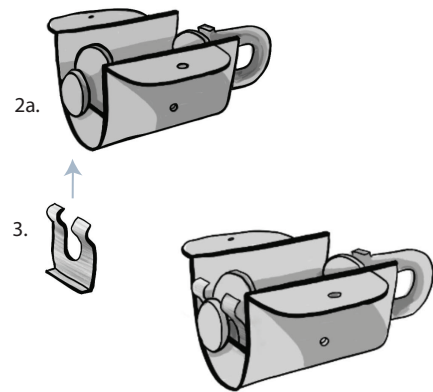
Insert the rotation handle (2) into the grooves of the main box (1). Ensure it is positioned correctly so that the ring of the handle (2b) is located on the side furthest from the screw tabs of the box.



08. Insert the two-pronged pin (3) into the RAB mechanism. It should fit into the top end of the rotation handle (2a) inside the box (1).

Ensure that the curved prongs at the top of the pin face towards the inside of the box.

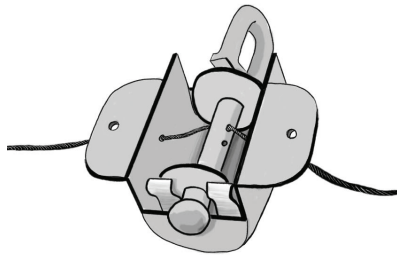
It is easiest to slide this in from below the rotation handle (2a) and allow it to drop into position inside the RAB box (1).



09. Connect the RAB box to the string that feeds from the corner guide.

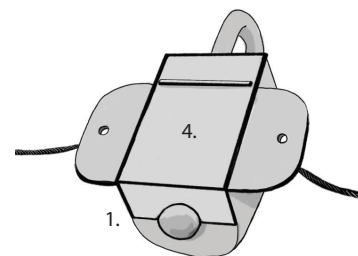
Thread the end of the string through the hole in the side of the box (1) that will be closest to the string entry point once the box is fixed facing down towards the frame.

Continue feeding the string through the hole in the centre of the rotation handle, closest to (2b). The string will then exit the box (1) on the opposite side.



10. Place the base cap (4) onto the box (1).

Ensure that the raised line on the base cap is positioned closest to the rotation handle hook (2b) and aligned with the ends of the screw tabs.



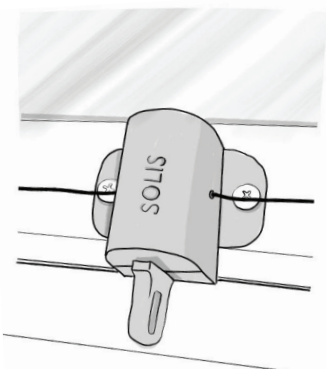
11. To attach the completed RAB mechanism to the frame, turn it over so that the base cap sits flat against the window frame.

Align the centre of the mechanism with the mark made earlier.

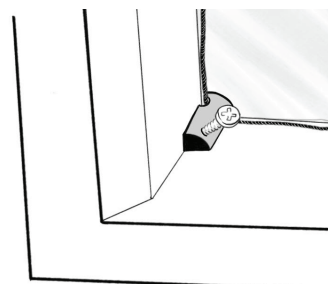
The raised line on the base cap acts as a stop, ensuring the mechanism is positioned the correct distance from the glass. You can achieve this by sliding the box towards the glass.

Using the two black screws provided, secure the RAB mechanism to the frame.

Ensure it aligns with the raised stop line on the base cap. This will allow sufficient space between the glass and the RAB mechanism so the blind can fully close.



12. In the remaining bottom corner of the frame, repeat Steps 8 and 9, securing the guide in place with the string coming from the RAB mechanism box and feeding upwards towards the blind.



13. Thread the second grommet (located at the other end of the bottom of the blind) onto the string.

Feed the string through the wider end of the grommet first to ensure it is correctly oriented for insertion into the aluminium channel of the blind in the following steps.



14. Gather both ends of the string (coming up from the bottom corner guide and hanging down from the blind) and tie them together.

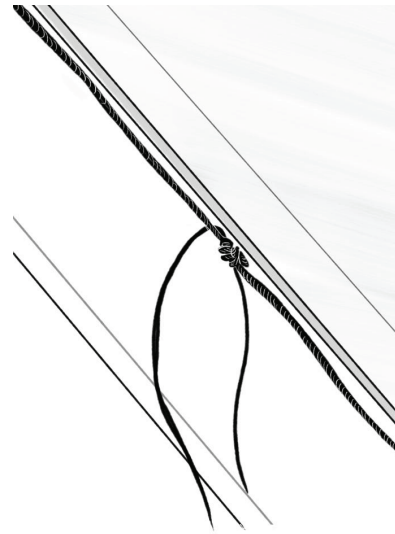
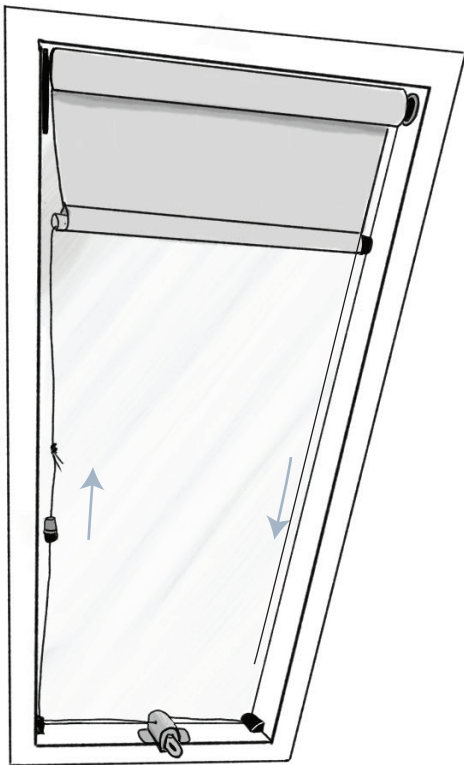
Ensure there is no slack in the string, but do not pull it too tight.

Once the tension is correct, secure the knot by tying 2–3 additional knots.

Trim any excess string, taking care not to weaken the knots.

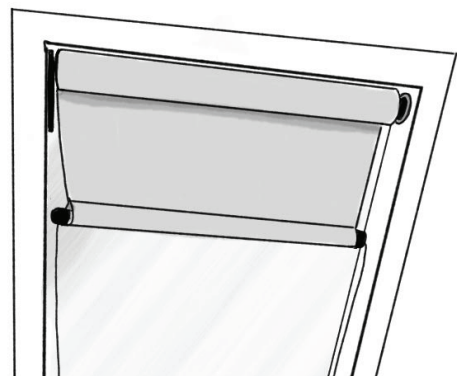
15. Once the string is securely tied, guide it around until the knot sits hidden inside the aluminium channel at the base of the blind.

The first grommet installed will act as a stop, preventing the knot from moving too far.



16. Slide the final grommet into place, closing the open end of the channel.

Ensure the string sits properly in the designated gap in the grommet.



17. The next step is to install the side channels on both sides of the window frame. These will neatly conceal the string when the blind is operated.

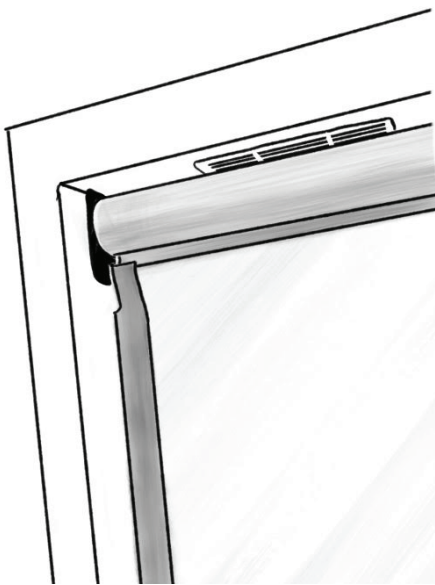
Note:

Both channels are slightly bent outward at the top end and straight at the bottom. The bottom ends include cut-outs to allow clearance for the corner guides.

One important difference is that one of the bent top ends includes a cut-out to allow space for the spring-loaded mechanism at the top of the blind. This determines which side of the window it should be installed on.

When positioning a side channel for installation, do not push it directly against the glass. Leave an approximate 2-3 mm gap between the glass and the channel. You can use the black rubber spacer between the glass and frame as a guide.

Repeat this step on both sides of the window.



18. To operate the blind, place the hook at the top of the handle into the rotation ring of the RAB mechanism and twist it.

Turn the handle clockwise to close the blind and anti-clockwise to open the blind.

